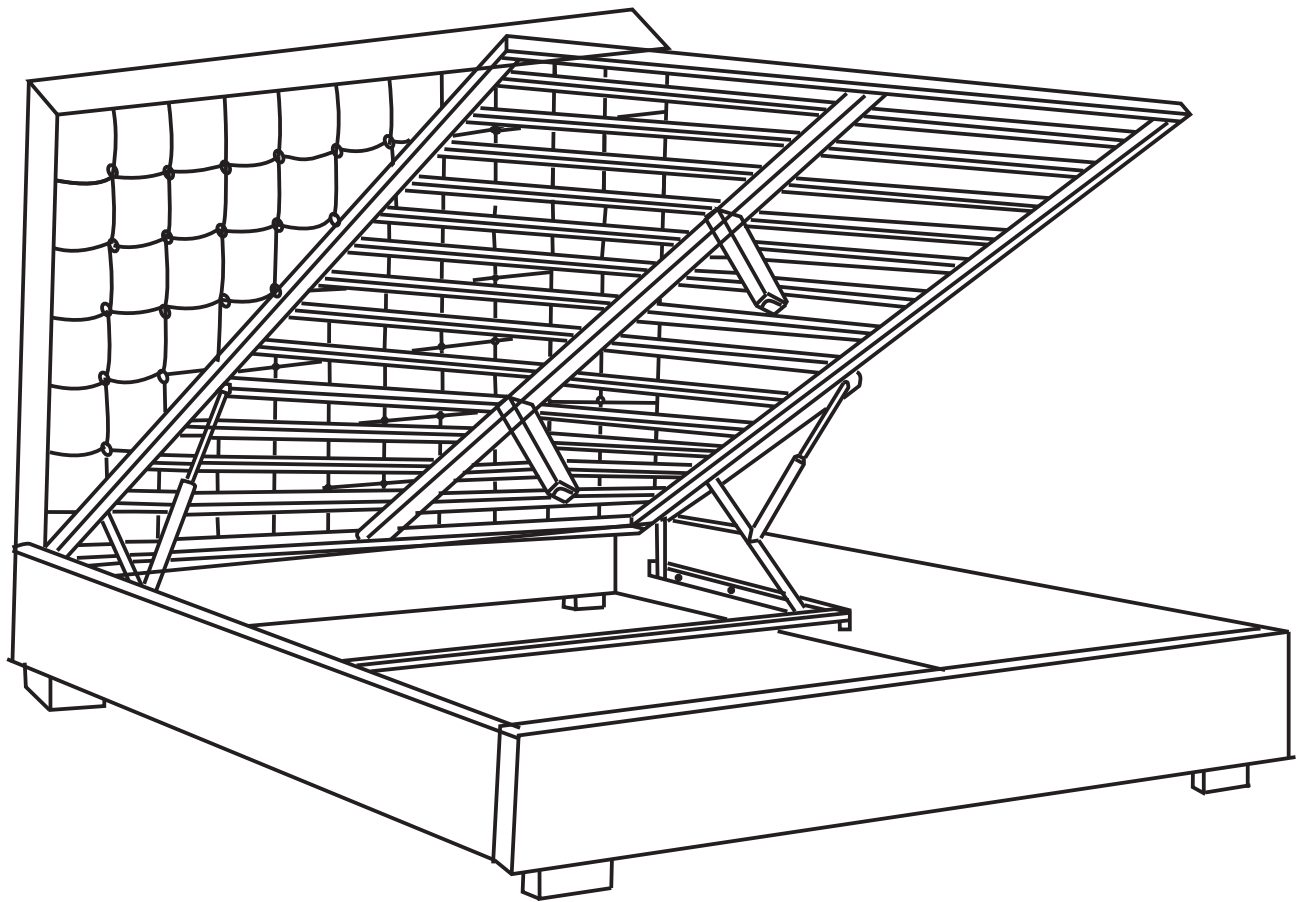


ASSEMBLY DIAGRAM

QUEEN/KING SIZE















product:

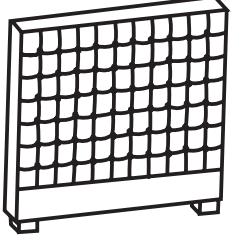
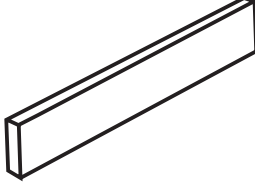
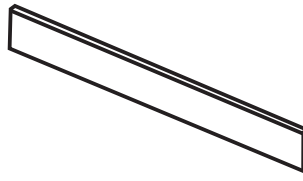



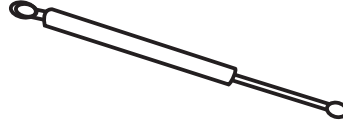

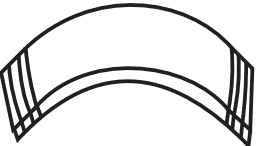

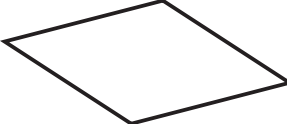
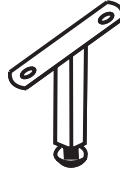





ASSEMBLY DIAGRAM

HAZARD WARNING!

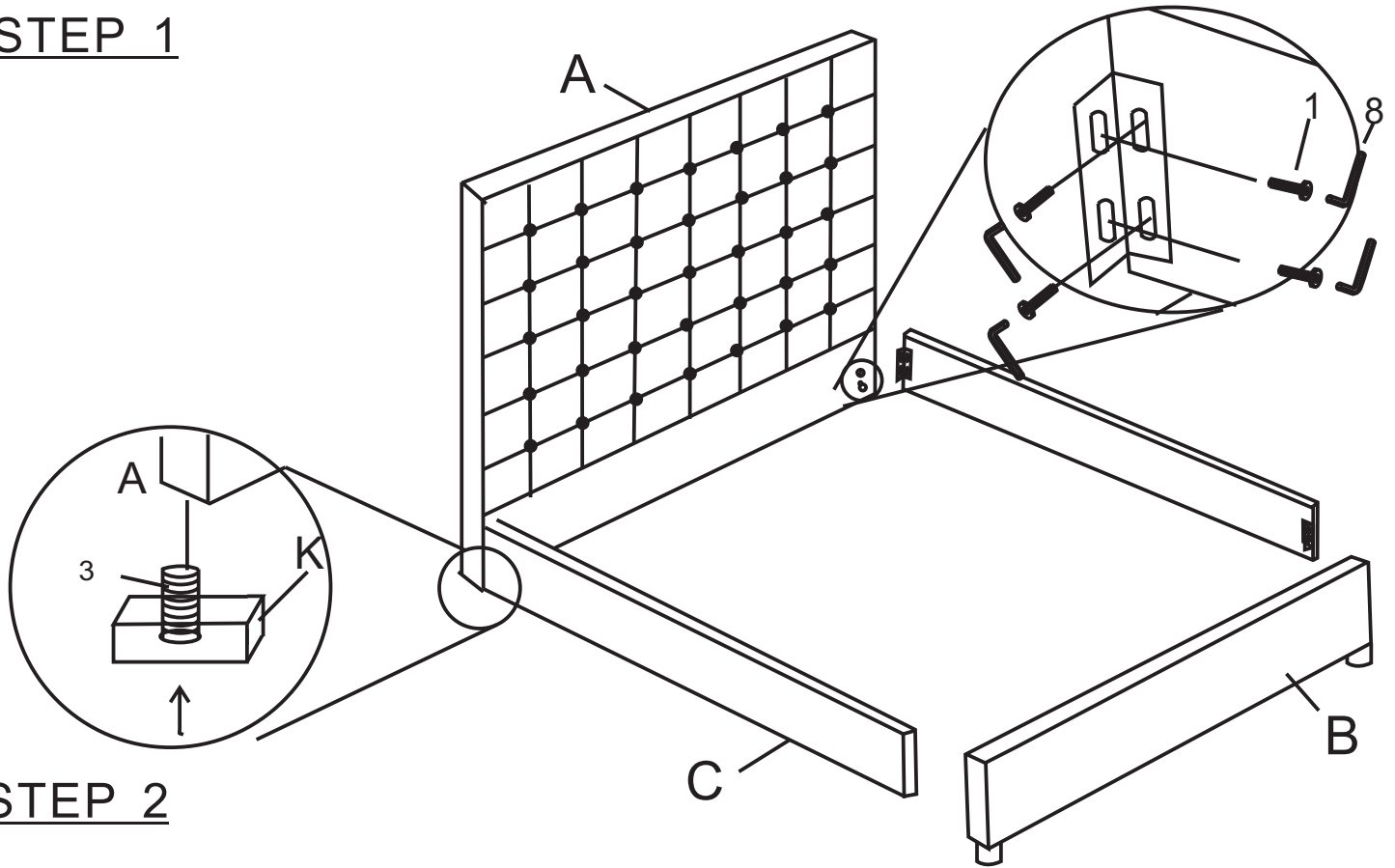
KEEP SMALL COMPONENTS OUT OF THE REACH OF CHILDREN

<p>① FLANGE NUT 52PCS M8X25mm</p> 	<p>② FLANGE NUT 2PCS M8X40mm</p> 	<p>③ FLANGE NUT 10PCS M8X50mm</p> 	<p>④ NUT 12PCS</p> 	<p>⑤ NUT 2PCS</p> 	<p>⑥ FLAT WASHER 6PCS M8</p> 
<p>⑦ ANGLE IRON 4PCS</p> 	<p>⑧ ALLEN KEY 1PC M8</p> 	<p>⑨ SPANNER 1PC M8</p> 	<p>⑩ ANGLE IRON 2PCS</p> 	<p>⑪ SIDE SLAT CAPS 26PCS</p> 	<p>⑫ CENTRE SLAT CAPS 13PCS</p> 
<p>⑬ ANGLE IRON 1PCS</p> 	<p>⑭ 1PC</p> 				

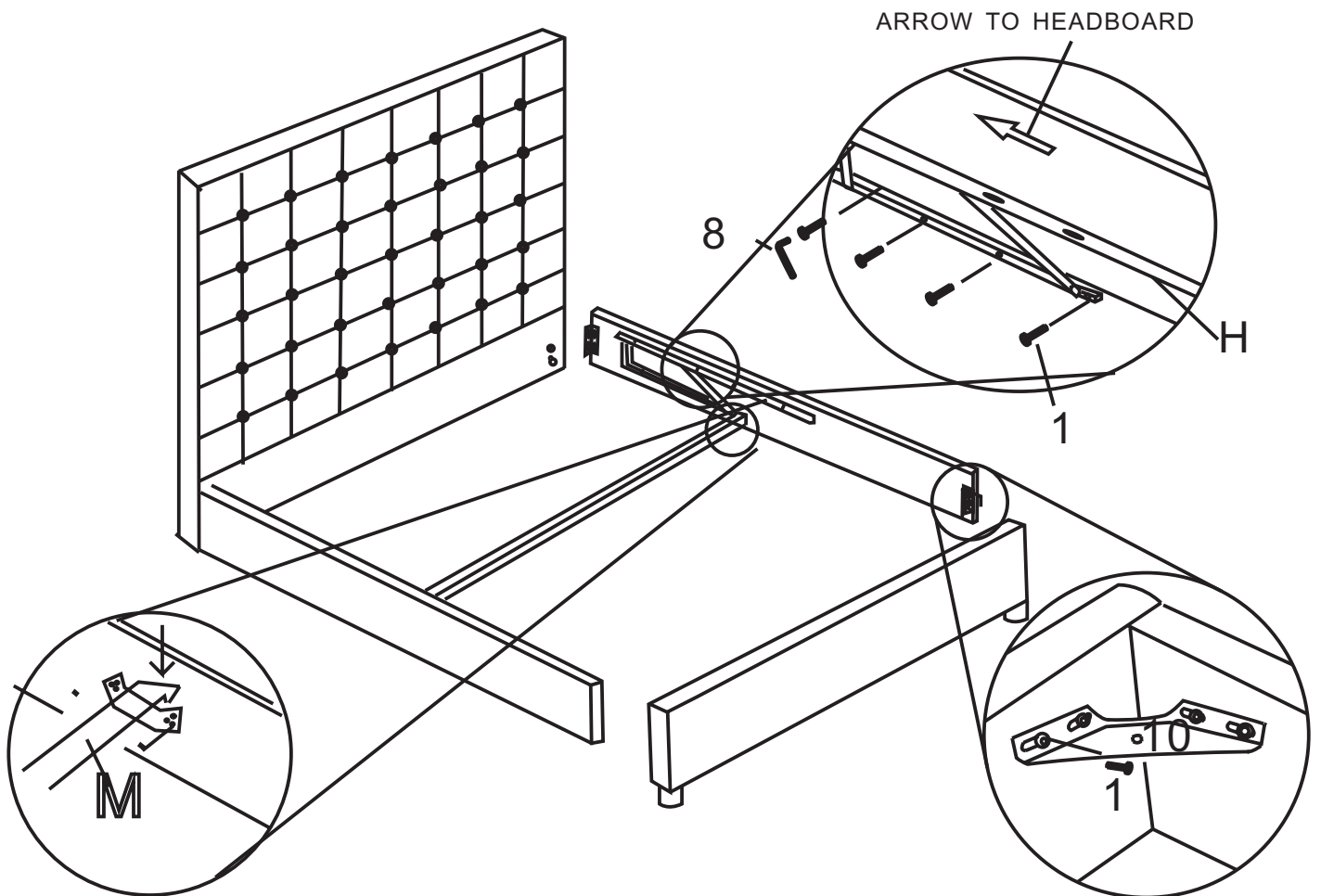
<p>Ⓐ HEAD BOARD 1PC</p> 	<p>Ⓑ FOOT BOARD 1PC</p> 	<p>Ⓒ SIDE RAIL 2PCS</p> 	<p>Ⓜ CENTER FRAME RAIL 1PCS</p> 
<p>Ⓔ SLAT 24PCS (inside headboard)</p> 	<p>Ⓕ ANGLE IRON 4PCS</p> 	<p>Ⓖ STEAM MOVING BAR 2PCS</p> 	<p>Ⓗ STEAM MOVING MECHANICA 2PCS</p> 
<p>Ⓘ SIDE SLAT CAPS 4PCS</p> 	<p>Ⓚ WOODEN LEGS 4PCS</p> 	<p>Ⓛ Non-Moven Bed Base 1PC</p> 	<p>Ⓝ CENTER SUPPORT LEGS 2PCS</p> 
<p>Ⓜ1 FRONTL/BACK FRAME RAIL 2PCS</p> 	<p>Ⓜ2 CENTER FRAME RAIL 1PCS</p> 	<p>Ⓜ3 HORIZONTAL FRAME RAIL 2PCS</p> 	

ASSEMBLY DIAGRAM

STEP 1

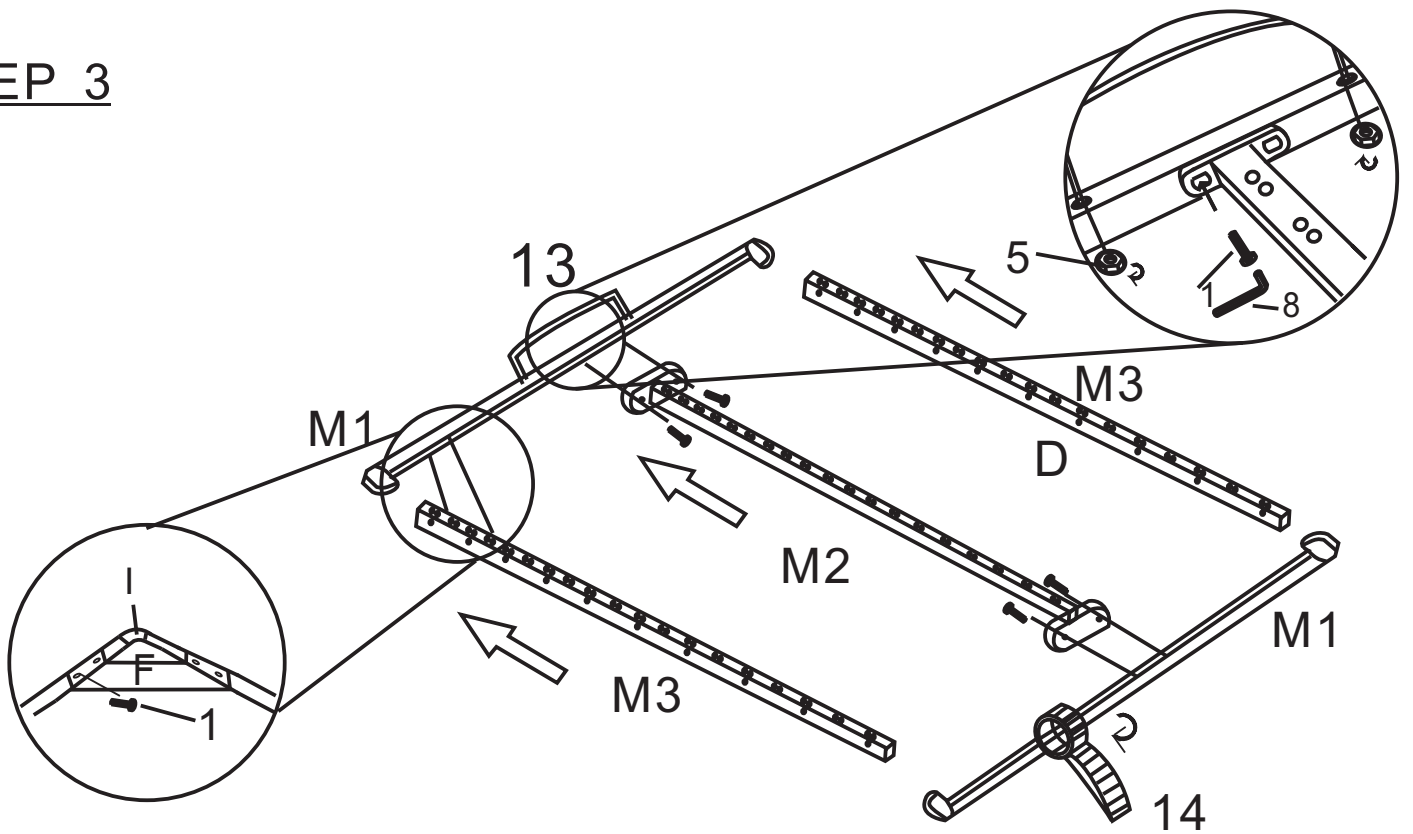


STEP 2

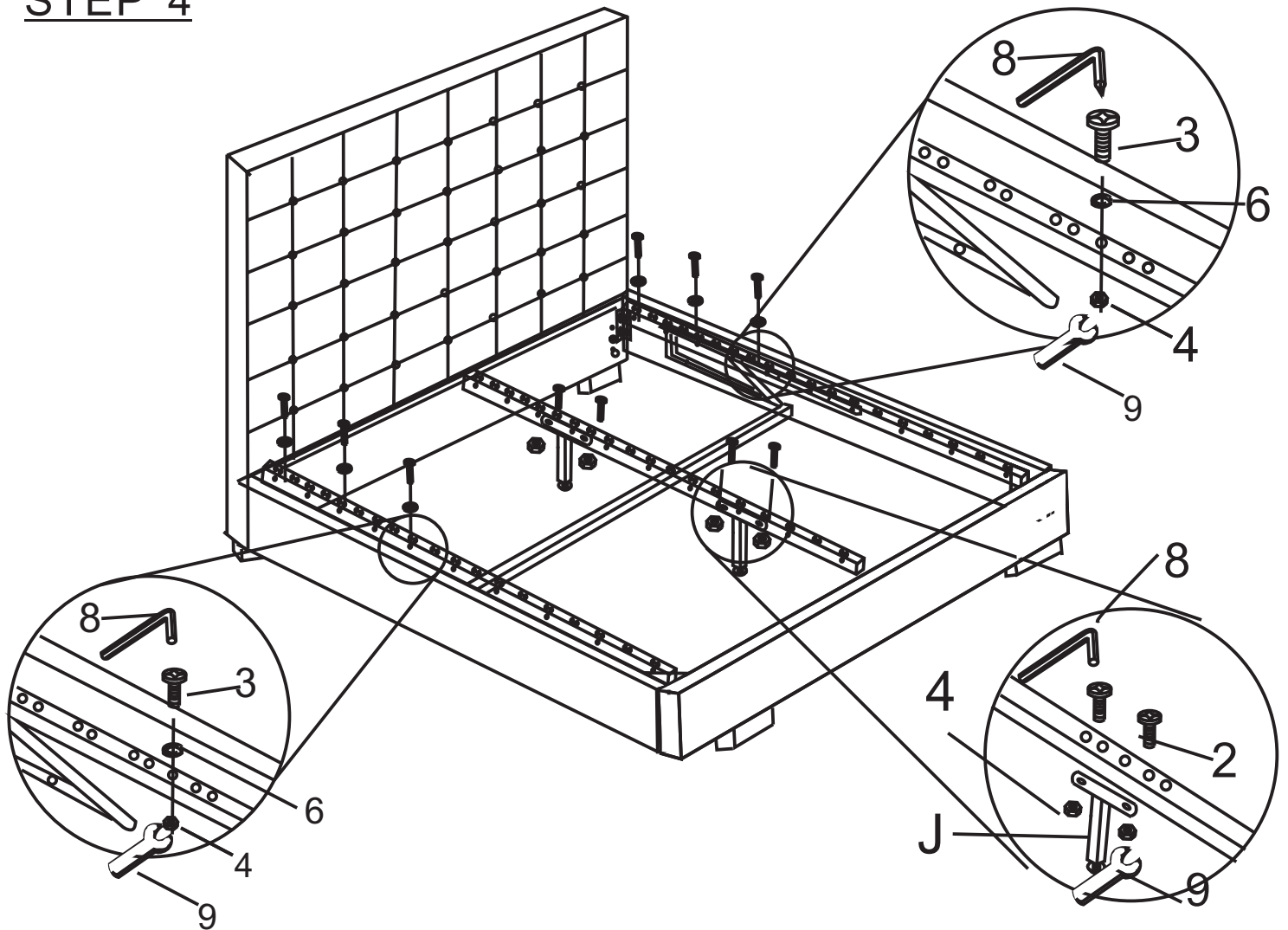


ASSEMBLY DIAGRAM

STEP 3

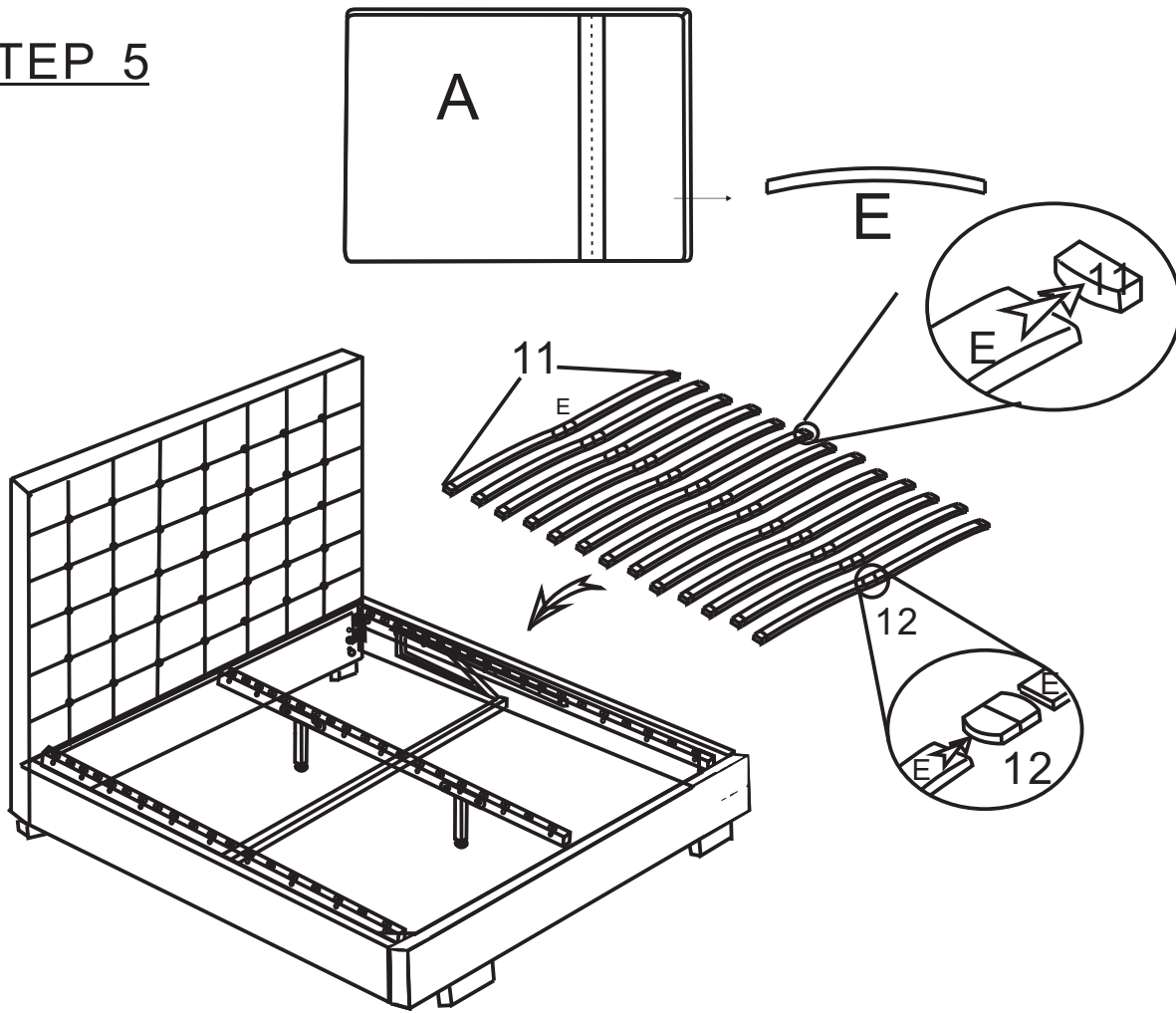


STEP 4

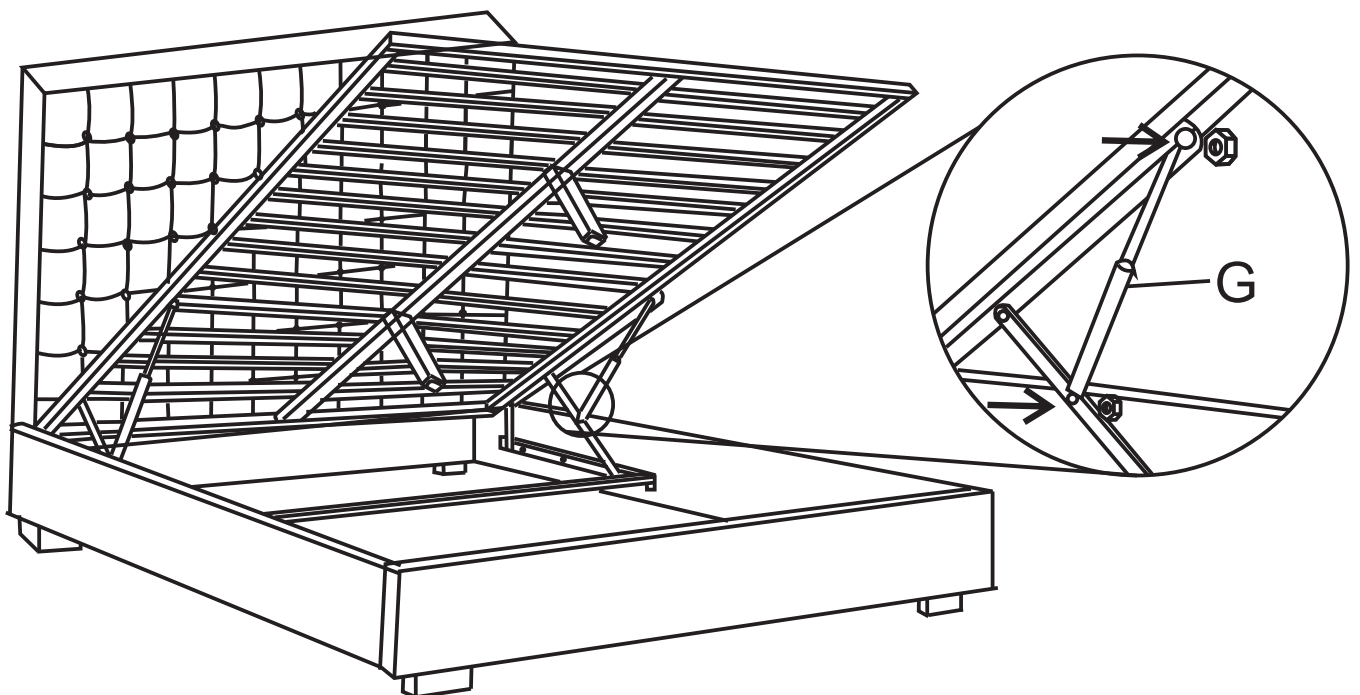


ASSEMBLY DIAGRAM

STEP 5



STEP 6



ASSEMBLY DIAGRAM

STEP 7

