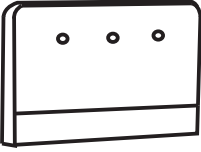
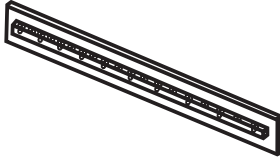
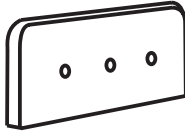
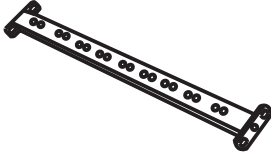


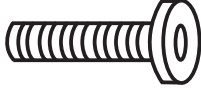

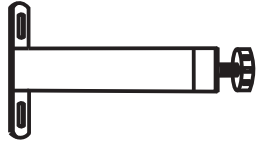

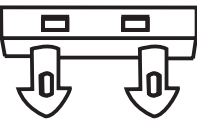






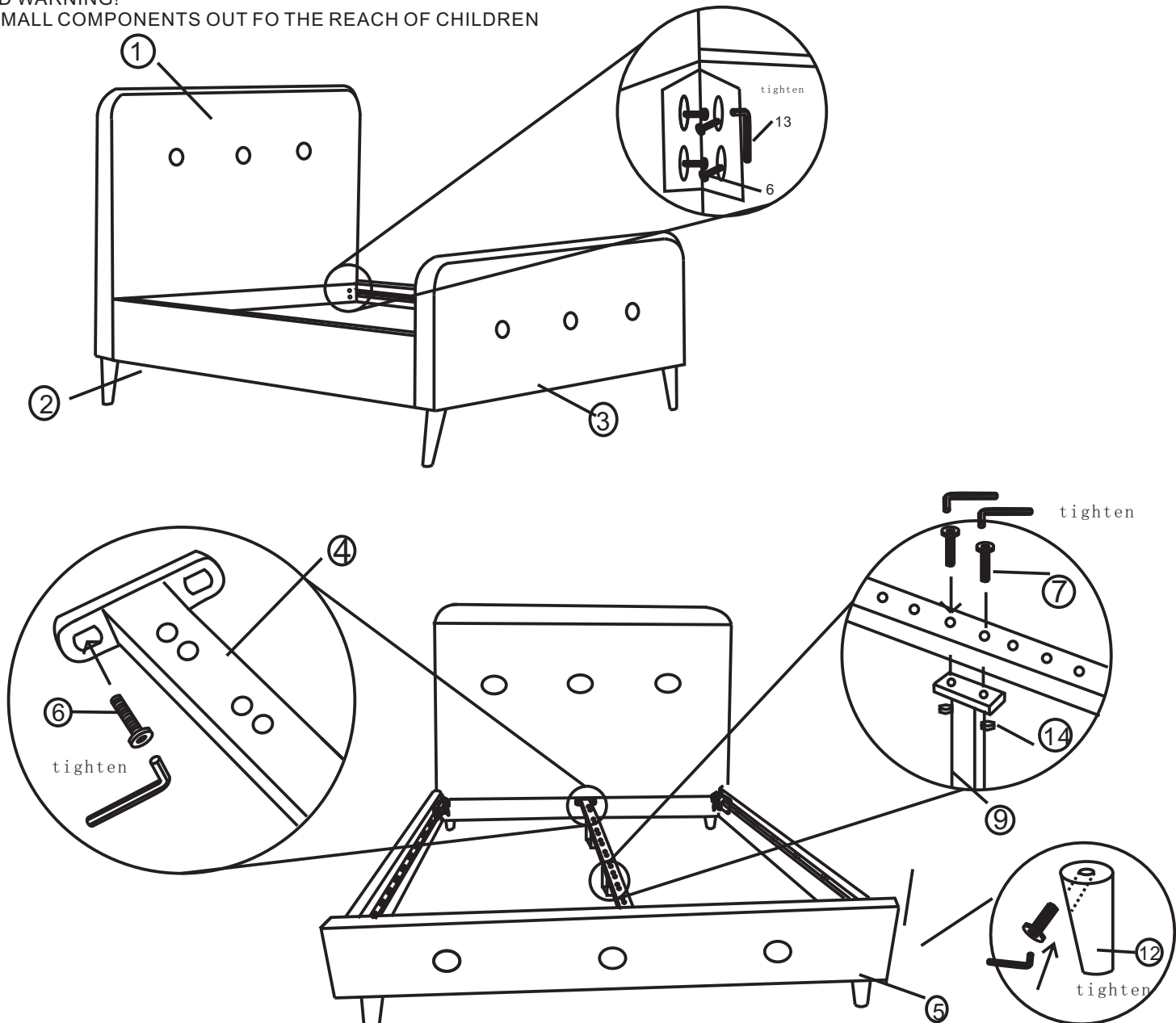
ASSEMBLY DIAGRAM

(SING / DOUBLE SIZE)

ASSEMBLY PARTS:

<p>① HEADBOARD--1PC</p> 	<p>② SIDE RAIL--2PCS</p> 	<p>③ FOOT BOARD--1PC</p> 	<p>④ CENTRAL SUPPORT RAIL--1PC</p> 	<p>⑤ FEET--4PCS</p> 
<p>⑥ SCREW(2.5X0.8CM)--16PCS</p> 	<p>⑦ SCREW(4X0.8CM)--4PCS</p> 	<p>⑧ BED SLATS--24PCS</p> 	<p>⑨ SUPPORT LEGS--2PCS</p> 	<p>⑩ CENTER PLASTIC CONNECTOR--12PCS</p> 
<p>⑪ END CAP--24PCS</p> 	<p>⑫ SCREW(5X0.8CM)--4PCS</p> 	<p>⑬ SPANNER--1PC</p> 	<p>⑭ NUT--4PC</p> 	<p>⑮ ANGLE IRON 4PCS</p> 

HAZARD WARNING!
KEEP SMALL COMPONENTS OUT OF THE REACH OF CHILDREN



ASSEMBLY DIAGRAM

